

















Table Parts and Assembly

Parts List

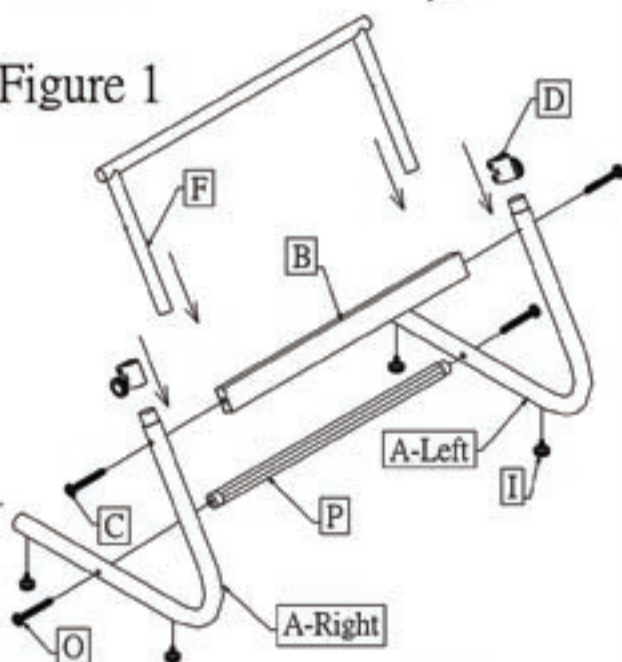
A. Leg Frame		L & R
B. Cross Bar		x1
C. Screws 2"		x2
D. Collar & Knob		x2
E. Table Top Attachment Bracket		x2
F. Upper Support Tube		x1
G. Connecting Plate / Slide Arm		L & R
H. Tilt Adjustment Knob		x2
I. Floor Glide		x4
J. Carriage Bolt		x2
K. U-Shaped Channel		x2
L. Large Washer		x2
M. Small Washer		x2
N. Phillips Screws 5/8"		x12
O. Allen Bolt 2 1/4"		x2
P. Footrest		x1



Assembling the Base

1. Screw floor glides "I" into holes in bottom of leg frames "A".
2. Attach leg frames "A" to the horizontal cross bar "B" using screws "C". Make sure that the side of each leg frame with the larger diameter hole faces out. Attach footrest bar "P" to leg frames using allen bolt "O". Tighten everything very securely, especially screws "C".
3. Place collar and knob assemblies "D" on top of each leg tube with the adjustment knobs facing out. Tighten lower screws with phillips screwdriver.
4. Insert upper support tube "F" into the leg frames "A" until only about 8" of the support tubes are exposed. Lock in place by tightening the height adjustment knobs "D". Set base assembly aside.

Figure 1



- Place the tabletop on a carpet or other protected surface that will not scratch the board. The side of the board that you want to face up when table is assembled should face down at this time.
- Based on the board size you have, use the correct diagram at the bottom of this page to determine the locations of the connecting plate / slide arm assemblies "G". Pay special attention that the hinged side of each is facing out and the hole patterns are oriented correctly. Use a drill or an awl to start each or the 12 holes. For the time being, install only 2 screws "N" on each connecting plate that are closest to the hinge.
- Place the base assembly on top of the board as shown in Figure 2.
- Using table top attachment brackets "E", secure the upper support tube "F" to the board with screws "N" as shown in Figures 2&3.
- Connect the slide arm assemblies "G" to the upper support tube "F" with hardware as shown in Figure 4. Tighten adjustment knob "H" securely.
- Carefully lift the table into the upright position. Adjust height and tilt as desired.

Figure 2

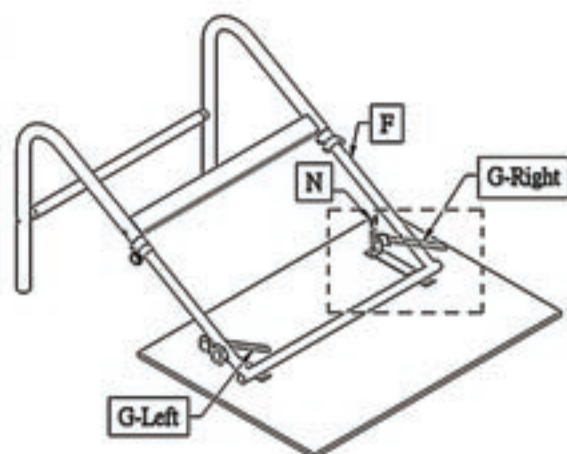


Figure 3

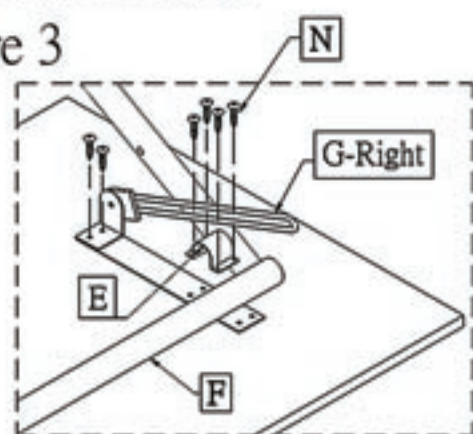
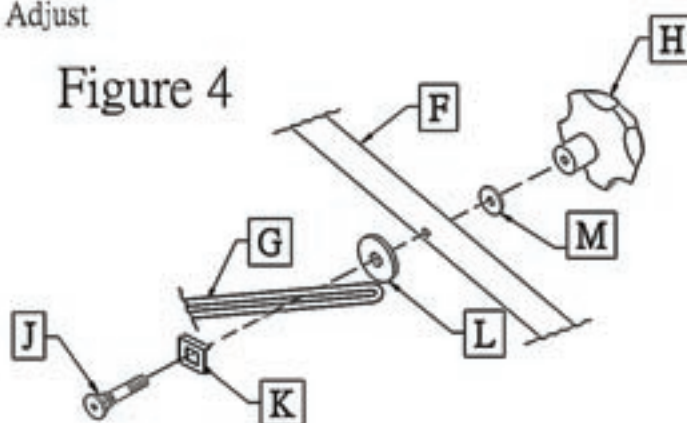
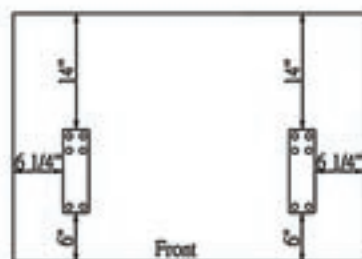


Figure 4



VISTA Table- Locating Dimensions For Connecting Plates, Part G"

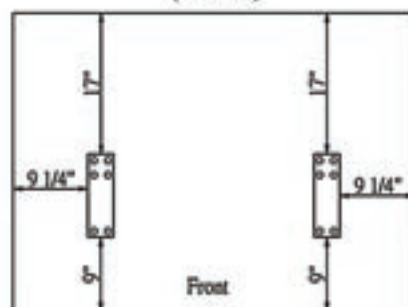
30"×42" Board
(CC2001D)



31"×42" Board
(VT42)



36"×48" Board
(VT48)



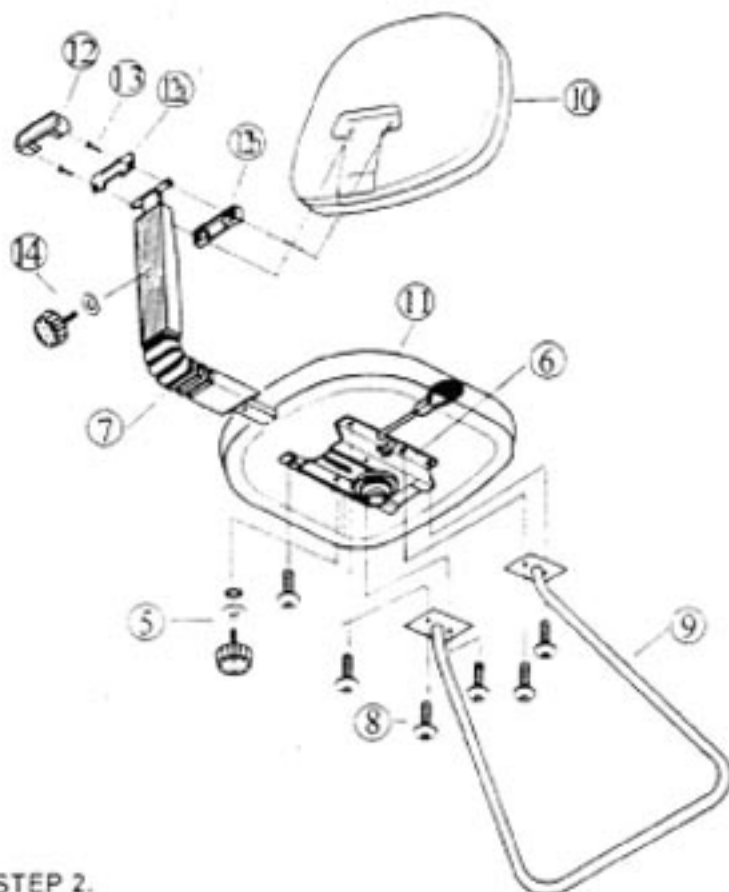
Height Adjustment Instructions

- Lock tabletop in horizontal position
- Lean entire table assembly forward until the front edge of the tabletop rests on the floor
- Loosen height adjustment knobs "D"
- Push or pull lower leg assembly until desired position is reached
- Retighten knobs "D" and return table to upright position

Chair Assembly

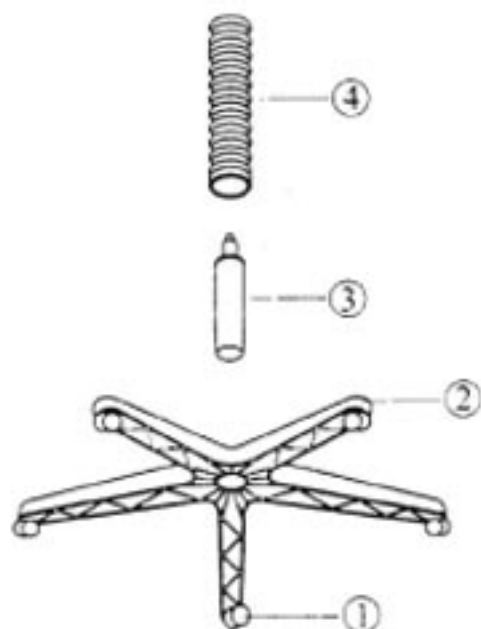
PARTS LIST

KEY	QTY	DESCRIPTION
1	5	CASTER
2	1	BASE
3	1	SEAT POST
4	1	PLASTIC BELLOW
5	1	KNOB FOR IN & OUT + WASHERS
6	1	MECHANISM
7	1	BACKREST POST + PLASTIC COVER
8	6	M6x24mm MECHANISM SCREW
9	1	FOOTREST
10	1	BACKREST
11	1	SEAT
12	1	PLASTIC COVER
12a	1	STEEL PLATE
12b	1	PLASTIC HOLDER
13	2	M6x32mm BACKREST SCREW
14	1	UP & DOWN KNOB + WASHER



STEP 2.

- Attach (6) mechanism to (11) seat initially with two (8) mechanism screws at the bottom. Align (9) footrest to upper part of (6) mechanism and screw-in with (8) mechanism screws. Flush (7) backrest post (T-top) to (12b) plastic holder. Screw-in (12a) steel plate and (12b) plastic holder to (10) backrest aligning holes with (13) backrest screws. Snap (12) plastic cover on (12b) plastic holder. Insert (7) backrest post + plastic cover under (6) mechanism. Securely tighten with (5) knob for in & out and (14) up & down knob + washers. Adjust to desired position.



STEP 1.

- Insert (1) casters into (2) base. May require extra effort when inserting to lock in place. Slice (4) plastic bellow over (3) seat post. Insert (3) seat post into (2) base.



Made in Taiwan

STEP 3.

- Place upper assembled portion of chair into (3) seat post.